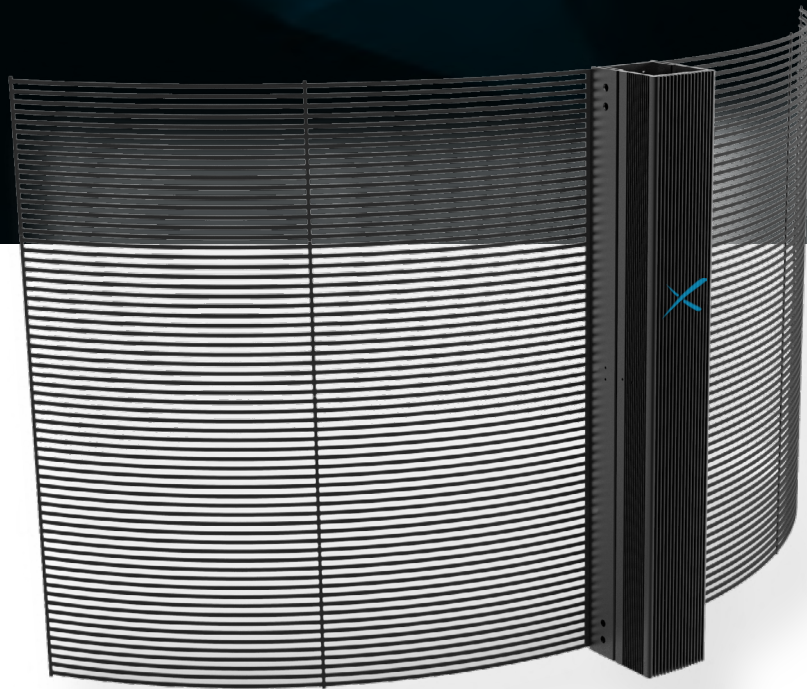




# NEON CURVE

TRANSPARENT INDOOR LED DISPLAY





## OVERVIEW

Highly customizable and sharing the same transparency properties as the NEON, the NEON CURVE is the perfect solution for a LED application behind a glass structure that isn't just rectangular and flat or for any application that you want to be able to see through. The frameless cabinets can be curved inwards or outwards, or even angled to perfectly fit the structure you want to enhance with a LED display. Whether it's on or off, people will be able to see through the NEON CURVE, allowing for an aesthetic blend of your display and the inside of your business. Its brightness lets people see clearly what is displayed on the NEON curve from the outside of your building.



APPLICATION  
**Indoor**



BRIGHTNESS  
**≤ 5500 NITS (LED TYPE SMD)**



INGRESS PROTECTION  
**IP22**



WEIGHT  
**5 kg/cabinet**



PIXEL PITCH  
**P2.8a5.6 p3.9a7.8  
P5.2a10.4 P7.8 P10.4**



MATERIAL  
**CNC aluminum**



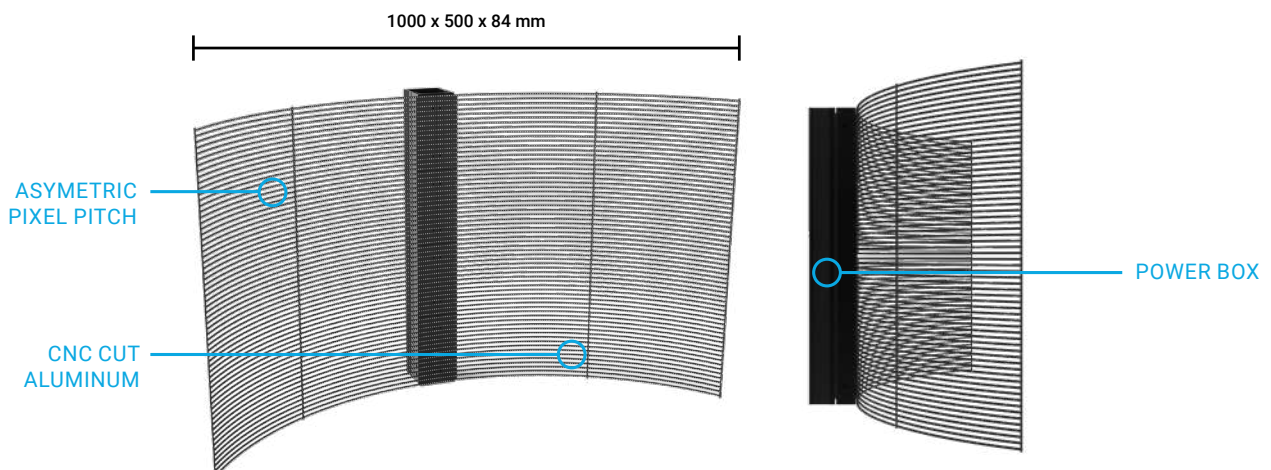
DISPLAY AREA (W x H)  
**1000 x 500 mm**



MAINTENANCE  
**Back maintenance**



## FEATURES





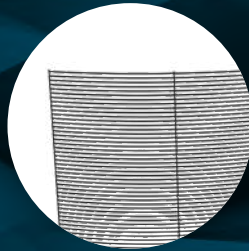


## REMOTE VIDEO UPLOAD

The NEON CURVE comes with a 2 in 1 cable (data and power) that facilitates the integration. It allows for user friendly wireless content management, which makes the management of your LED application easier. This comes particularly handy when you have to update your visual content regularly (sales, new fashion season, etc.).



CUSTOMIZABLE LED  
DISPLAY



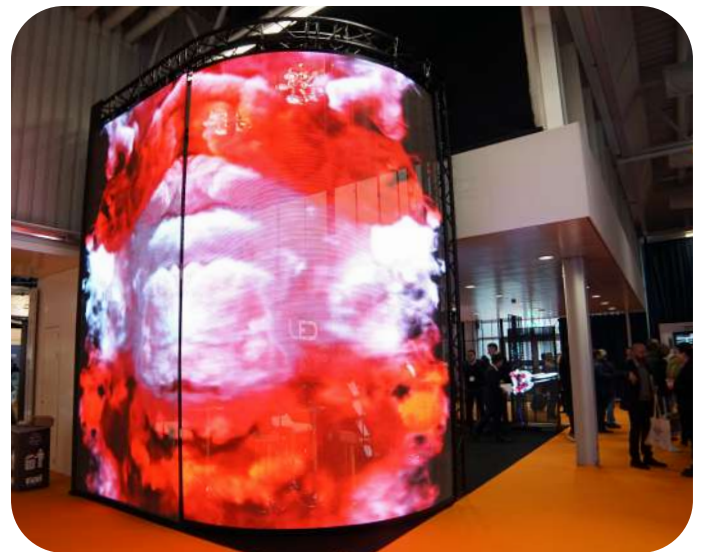
EASY BENDING ANGLE  
ADJUSTMENT



65% TRANSPARENCY  
WHEN ON

## CUSTOMIZABLE APPLICATION

Being both flexible and resistant, the NEON CURVE cabinet can be shaped to your needs. It can be curved inward or outward to the degree angle required by your structure (maximum bending angle is 180 degrees concave and convex) The possibilities are numerous, which is why the NEON CURVE is an excellent choice for your custom projects.



## HIGHLY TRANSPARENT

Thank's to the LED layout on vertical stripes on the NEON cabinet, you can easily see through it when it's on. This allows you to display whatever you want and still be able to let everyone see inside your business. When it's turned off, the NEON CURVE is barely noticeable.



## TECHNICAL SPECIFICATIONS

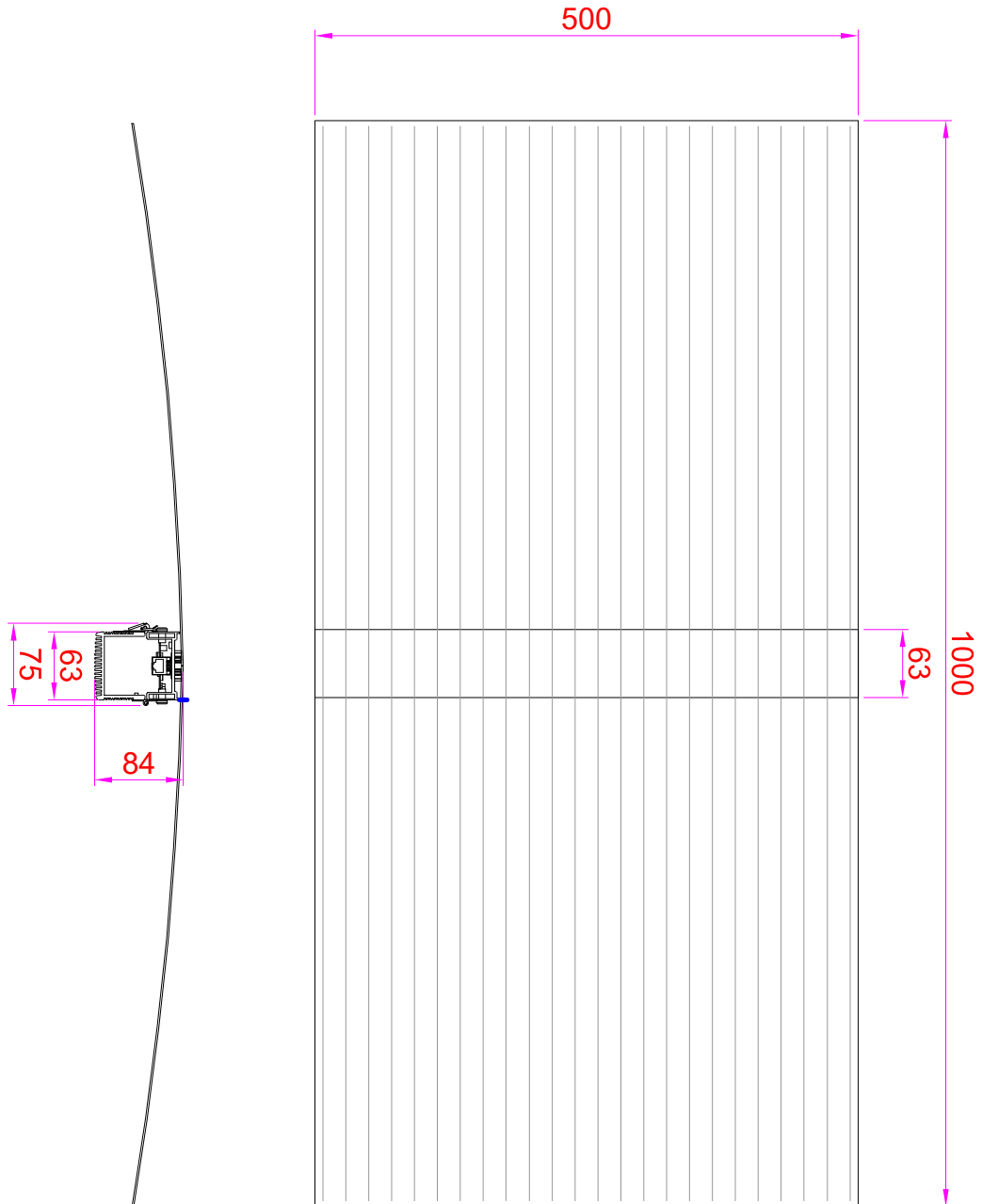
Product Parameters	Unit	INDOOR				
		2.8a5.6	3.9a7.8	5.2a10.4	7.8	10.4
Pixel Pitch	mm	2,84 x 5,68	3,91 x 7,81	5,21 x 10,42	7,81	10,42
LED		SMD 1921				
Application		Indoor transparent LED cabinet				
Ingress Protection	IP	IP22				
Brightness	cd/sqm	≤ 5500 Nits @5volts				
Color Temperature after calib (adjustable)	deg. K	3500-9300 Adjustable				
Viewing Angle (50% brightness)	deg.	160H / 160V				
Cabinet Size (WxHxD)	mm	1000 x 500 x 84				
Display area (WxH)	mm	1000 x 500				
Module Size (WxHxD)	mm	500 x 500 x 1.6				
Pixel Matrix Per Cabinet (WxH)	px	352 x 88	256 x 64	192 x 48	128 x 64	96 x 48
Pixel Matrix Per Module (WxH)	px	176 x 88	128 x 64	96 x 48	64 x 64	48 x 48
Pixel Density	px/sqm	61992	32747	18420	16384	9216
Weight of cabinet	kg	5				
Cabinet Material		CNC aluminum				
Maintenance Mode		Back				
Mask specification		No mask				
Contrast Ratio		High				
Grey scale (linear)	bit	16				
Brightness control	bit	16				
Processing depth	bit	16				
Color		281 Trillions				
Display Refresh Rate	Hz	1920				
Operation Power	V	AC220V				
Max. Power Consumption	W/sqm	800				
Average Power Consumption	W/sqm	180				
Control Mode		Synchronization				
Video Frame Rate	Hz	50Hz				
Input Types Supported		DVI / SDI / HDMI				
3D ready (optional)		-				
Calibration		Yes				
Lifetime (50% brightness)	h	100000				
Operating Humidity Range		10 / 80%				
Operating Temperature Range		-10°C / +45°C				
Screen Uniformity Correction		-				
Certification		FCC / CE / ETL / CCC / CB				
Available options		-				
Compatibility		No				



Information and design in this leaflet are subject to Artixium France SAS copyright. No material from this leaflet can be used in any context without ARTIXIUM approval. Designs and specifications are subject to change without notice. All images of ARTIXIUM products components and accessories used here are also subject to change without notice. All information presented herein is based on the latest information at the time of publishing. Actual results of performance and other specifications may differ or vary with production models and may depend on selected options and model ranks.



## TECHNICAL DRAWINGS



# CONTACT


The Artixium regional branches are the key for the growth and development of our global network all over the world. Artixium's team is a spectrum of different nationalities and cultures, reflecting their global presence and mindset, mak-

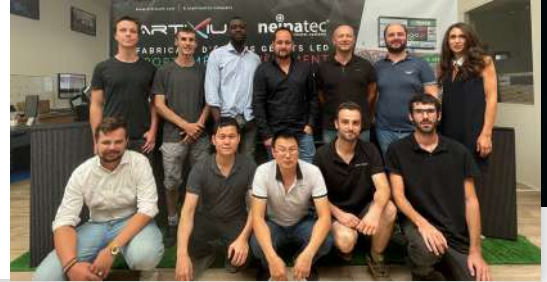
ing their communication smooth and hassle-free with clients from all around the world. Customer care, Innovation and flexibility has always been our values and we intend to keep this reputation for many years to come.


## ARTIXIUM FRANCHISES

*"From your project's conception to its completion."*




 112 Avenue Franklin Roosevelt  
69120 Vaulx-en-Velin  
France




 Artixium Operational Center  
518000 Shenzhen  
China




 Weissensteinstrasse 90b,  
46149 Oberhausen  
Germany




 Merkez Mah. Baglar Cad. A  
Blok Apt. No: 14D/13 Kagithane, Istanbul  
Turkey




 [www.artixium.com](http://www.artixium.com)

 0 428 001 801

 [linkedin.com/company/artixium](https://www.linkedin.com/company/artixium)

 [twitter.com/artixium](https://twitter.com/artixium)

 [contact@artixium.com](mailto:contact@artixium.com)

 [youtube.com/@artixium](https://www.youtube.com/@artixium)

 [facebook.com/artixium](https://www.facebook.com/artixium)

 [instagram.com/artixium](https://www.instagram.com/artixium)





Since its creation in 2012 by two european entrepreneurs, Artixium has been evolving and always looking for innovative ways to contribute to the digital transition of our world. It only took a few years for Artixium to become a key player in the LED display industry.

---

[www.artixium.com](http://www.artixium.com)